



Model: See Affected Units	Jul. 2, 2024
Serial #: N/A	
Product Bulletin # CDS-011 Rev 2	
Alert	



CDS Link Tilt operations with Stabilizer Kit and Coupler Plate Mount

Issue

The dropped object was a Trunnion #5104016, component of Single Joint Links Stabilizer Kit #5104015. The Trunnion was installed with inadequate length bolts while a DT24294 Coupler Plate Mount was also present on the CDS Link Tilt Assembly. The accessory Coupler Plate Mount #DT24294 was not taken in consideration at the time of SJ Links Stabilizer Kit #5104015 design.

No personnel have been hurt.

The components subject to this alert are:

Part #	Description
5104015	Kit, Stabilizer, Single Joint Links, CDS
DT24294	Mount, Coupler Plate, CDS

Affected Units

All CDS Link Tilt Assemblies simultaneously equipped with Single Joints Links Stabilizer Kit #5104015 and Coupler Plate Mount #DT24294.

Recommendation

1. Disassemble Single Joints Links Stabilizer Kit #5104015 from the CDS Link Tilt Assembly.
2. Disassemble the Multi Coupler Plate #H16763 (1), Mount #DT24294 (2) and Guard #16062 (3) from the CDS Link Tilt Assembly (Driller's Side):



Model: See Affected Units	Jul. 2, 2024
Serial #: N/A	
Alert	

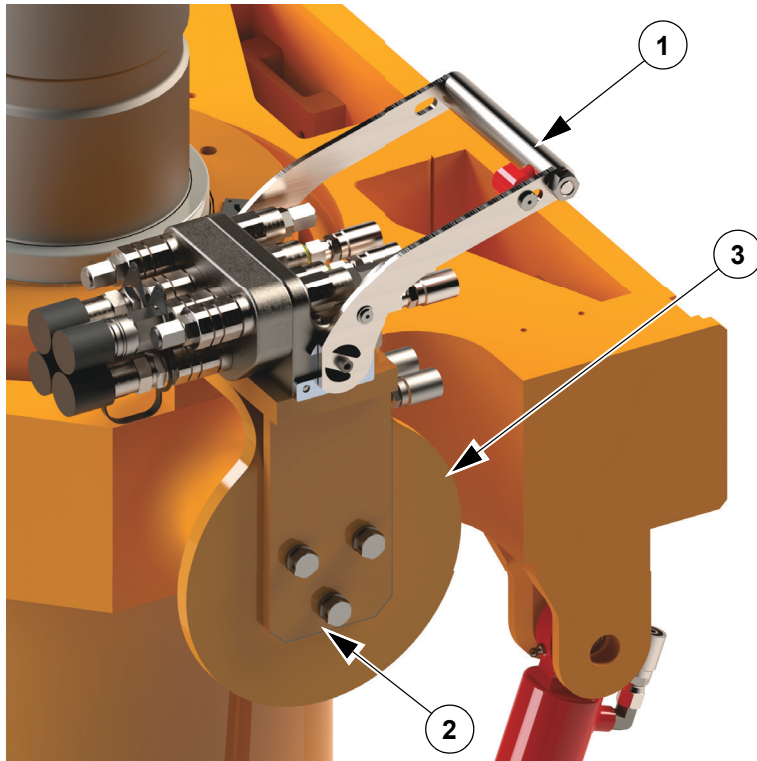


Figure 1: CDS link tilt assembly

3. Modify Coupler Plate Mount #DT24294 to #DT24294M:

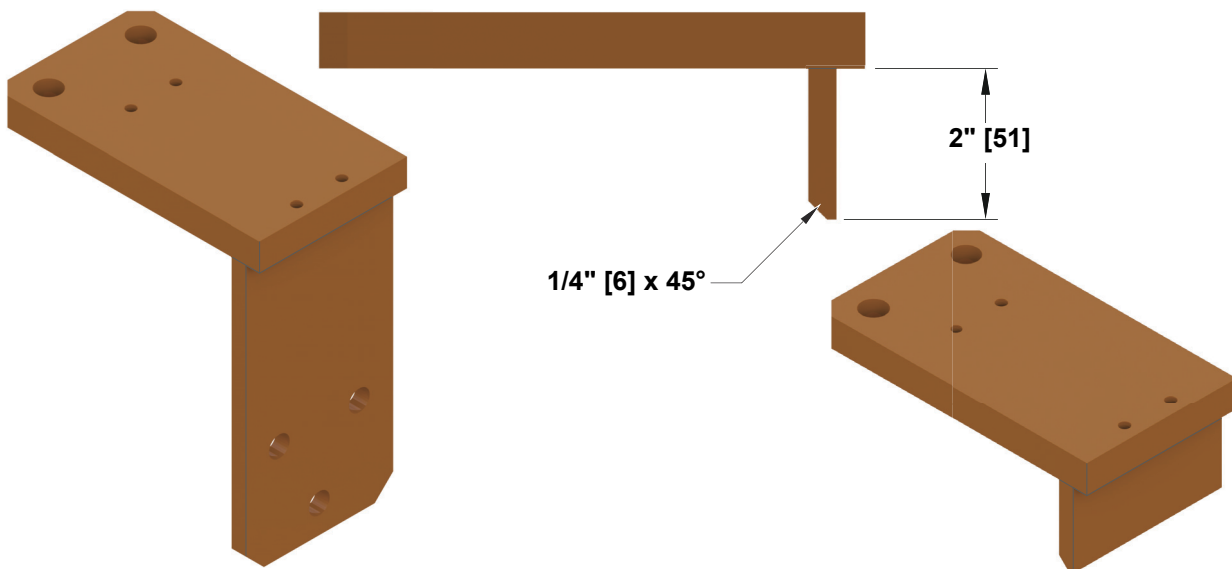


Figure 2: Modified mount



Model: See Affected Units	Jul. 2, 2024
Serial #: N/A	
Alert	

- Remove paint from modified Coupler Plate Mount #DT24294M and Guard #16062 and prepare for welding.
- Weld the modified Coupler Plate Mount #DT24294M to Guard #16062; Ensure the components' two (2) 5/8" holes are aligned:

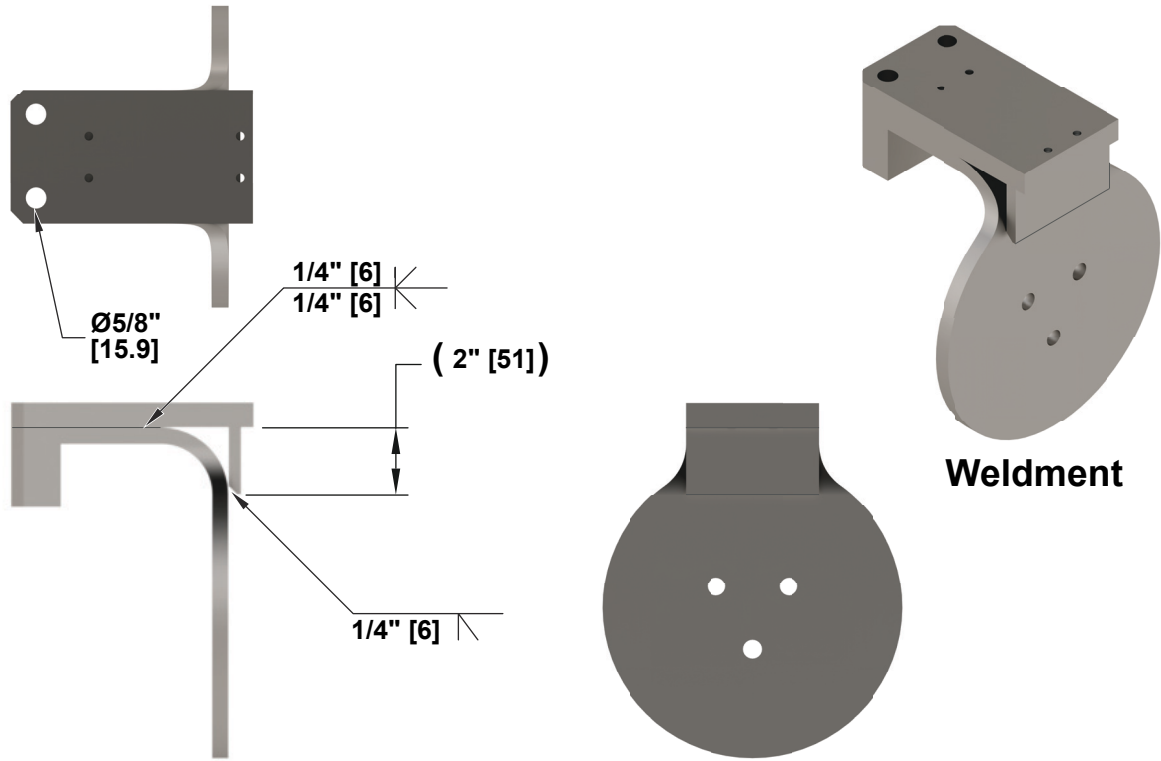


Figure 3: New mount weldment

- Paint the modified Guard #16062M (c/w welded modified Coupler Plate Mount #DT24294M) Tesco Yellow as per ENG713.

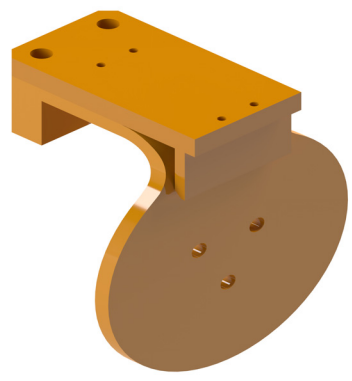


Figure 4: Mount Painted



Model: See Affected Units	Jul. 2, 2024
Serial #: N/A	
Alert	

7. Install the modified Guard #16062M & H16763 Multi Coupler Plate to the CDS Link Tilt Assembly
8. Re-install Single Joints Links Stabilizer Kit #5104015 to the CDS Link Tilt Assembly:



Figure 5: Guard and kit assembled to link tilt

⚠ IMPORTANT

Ensure the screws used to mount Trunnions #5104016 are compliant with 9012 Screw, Cap, Hex Hd, 1/2"-13UNC x 2-1/4", Gr 8, Pld, Dr Hd, torqued to 80 ft-lb and lock wired.