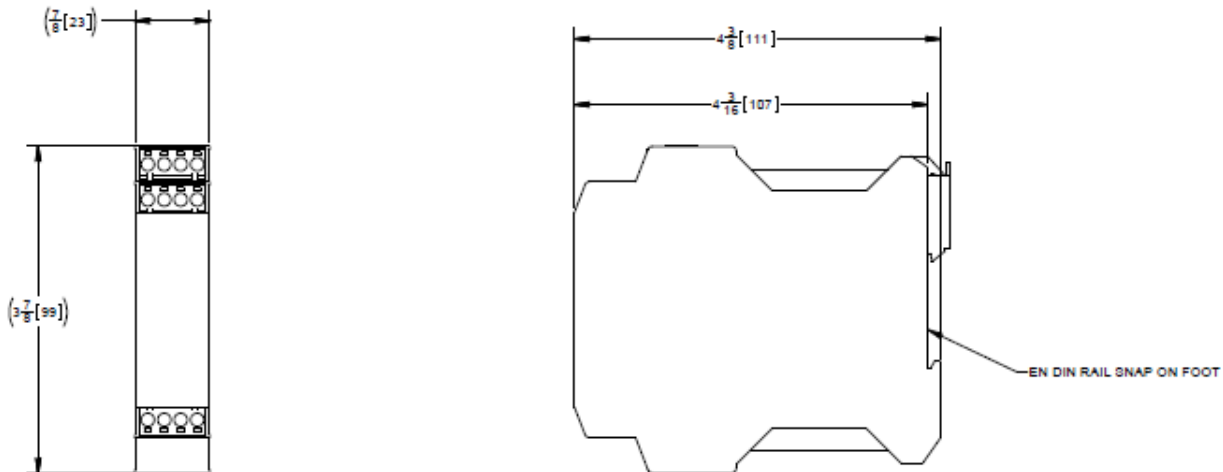
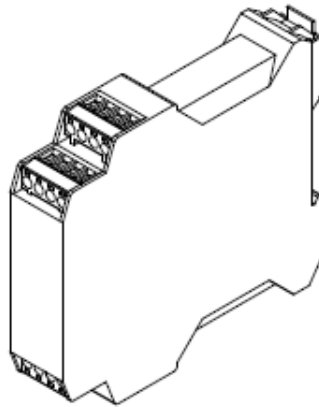


Figure 2: Example of CIP with 24V-to-15V power supply.

Qualified personnel should verify the voltage and, if necessary, install the 24V-to-15V power supply (P/N E18152) (see Figure 3) in the Carrig CIP (see Figure 4 on page 5).



E18152

Figure 3: Power Supply (P/N E18152)



