



Model: C750

Serial #: N/A

May. 2, 2024

Product Bulletin # TDS-253 Rev 1

Offshore Blower Support Assembly Improvement

The 750T offshore top drive has been improved to better support the (Canrig P/N: P10086) blower during jarring or rough drilling conditions.

Affected Models

Canrig offshore 750T Top Drives using (Canrig P/N: AY14921) blower support assembly.

Blower Assembly New Parts Required

Install upgrade Kit, Blower Assembly, 460V, 20 HP-ELM (P/N: AY28028) using the following components listed in Table 1 to improve support.

Table 1: Blower Assembly Additional Components

Item	Qty	Part Number	Description
1	1	DT30207-1	CLAMP, MUDLINE, BLOWER SUPPORT
2	1	DT30207-2	BRACKET, CLAMP, MUDLINE, BLOWER SUPPORT
3	7	HH-0500NC-0200-GR8-W	CAPSCR, HEX HD, 1/2-13UNC x 2.00", GR8, W
4	4	LW-0500-NL	LOCKWASHER, 1/2" NORD-LOCK
5	6	LN-0500-GR8	LOCKNUT, 1/2-13UNC, GR8, STOVER
6	1	DT27024	BRACKET, CLAMP, MUDLINE, BLOWER SUPPORT
7	2	HH-0500NC-0250-GR8-W	CAPSCR, HEX HD, 1/2-13UNC x 2.50", GR8, W
8	2	DT33860	CLEVIS PIN, SUPPORT ARM, BLOWER ASSY
9	2	M20009	PIN, LOCKING COTTER, 0.078" WIRE, 2" LG
10	1	DT27026	MAIN BODY, BLOWER SUPPORT ARM
11	1	DT27027	THREADED EYE, BLOWER SUPPORT ARM
12	1	HN-1500NC-GR8	HEX NUT, 1 1/2-6UNC, GR8
13	1	LW-1500-NL	LOCKWASHER, 1 1/2 NORD-LOCK
14	4ft	M21-2000-010	WIRE ROPE, 1/16 IN, 7 x 7, STAINLESS
15	2ft	M10022	WIRE ROPE, 1/8, 7 x 19, STAINLESS
16	4	M19-3006-010	FERRULE, 1/16, OVAL, ALUMINUM
17	4	M19-3009-010	FERRULE, 1/8, OVAL, ALUMINUM
18	2	DT33560	PAD EYE, GUARD, BLOWER SUPPORT
19	8	LW-0500-NL-SP	LOCKWASHER, 1/2, NORD-LOCK, SP
20	3	HN-0500NC-GR8	HEX NUT, 1/2-13UNC, GR8

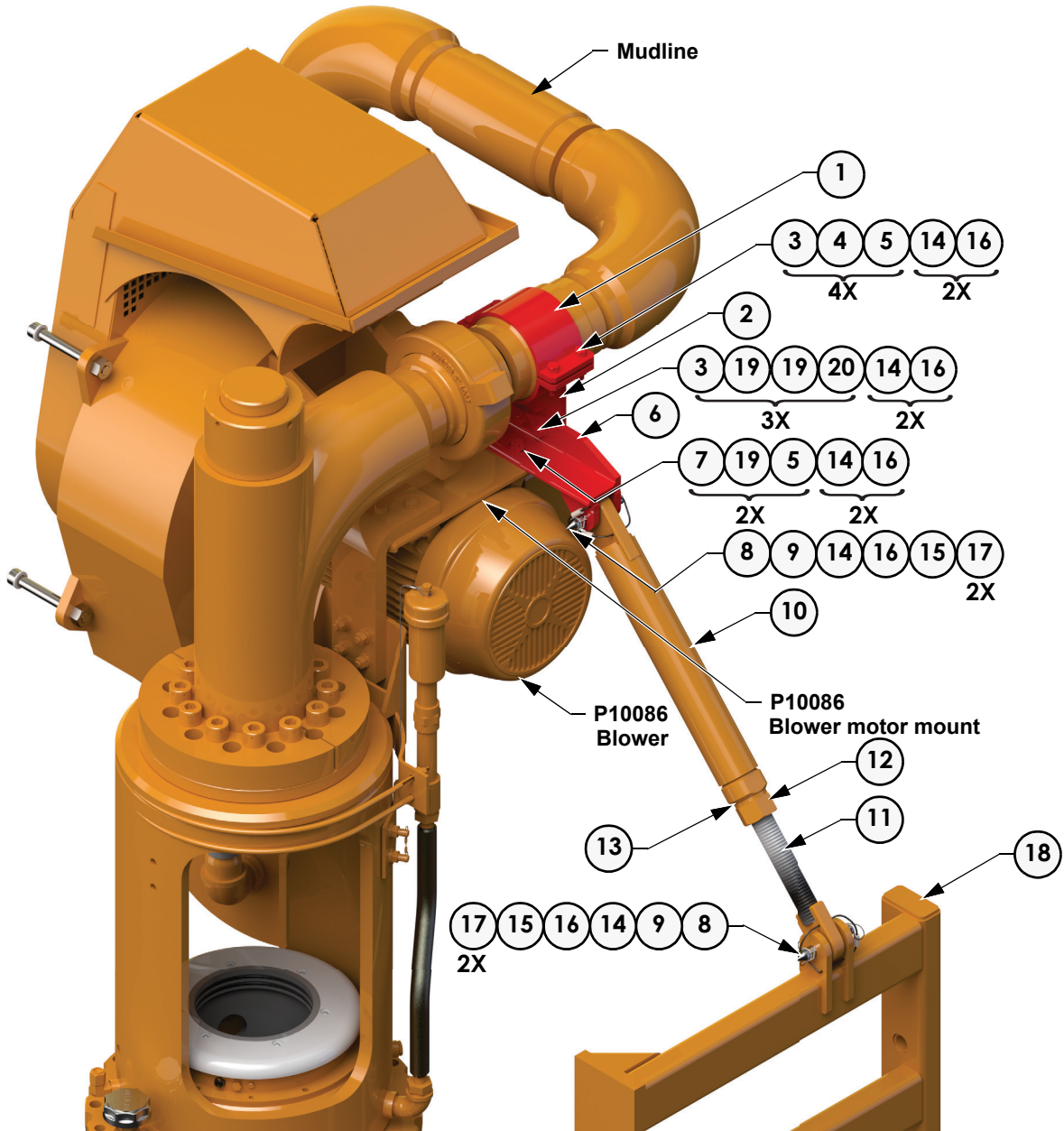


Figure 1: Blower assembly BOM callouts

Pad-eye Modification

The blower assembly improvement will require two (2) prefabricated pad-eyes as shown in Figure 2 and welded to the locations indicated in Figure 3 for installation of the support arm assembly (AY28027). **Material: ASTM A36/Q235** is required for the two (2) pad-eyes.

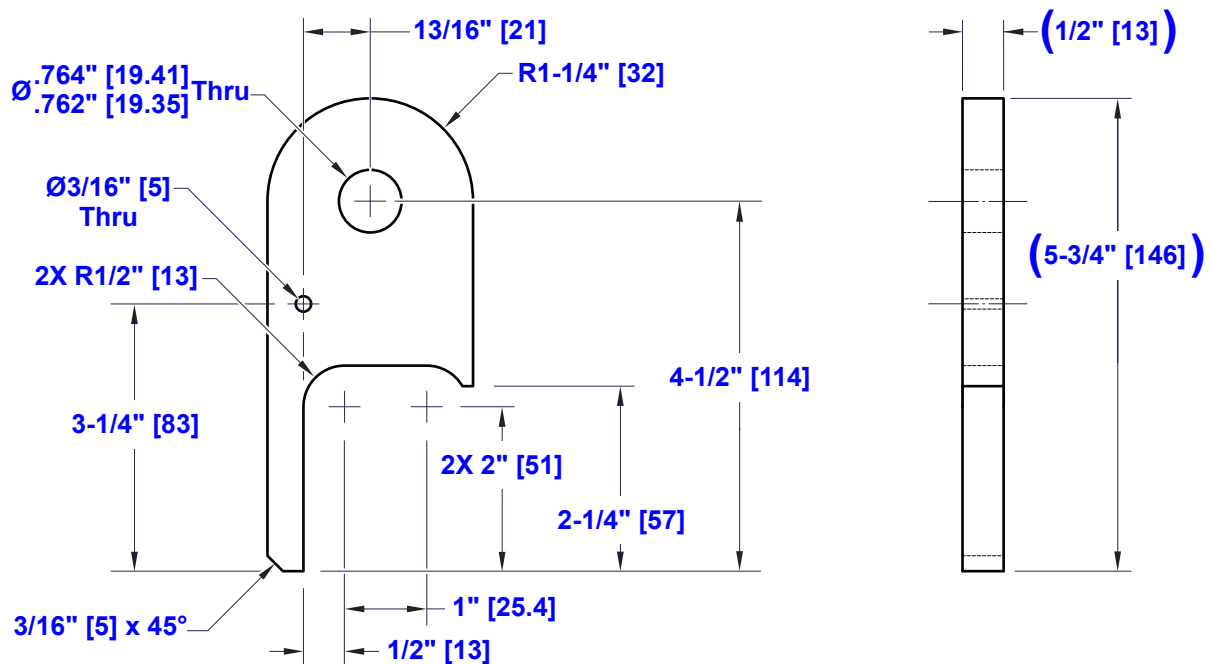


Figure 2: Pad-eye detail

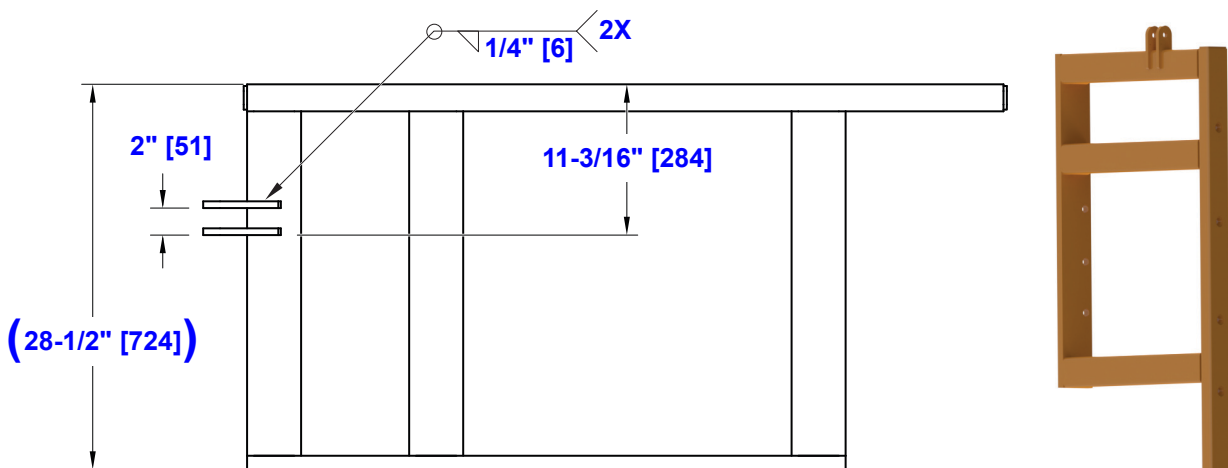


Figure 3: Frame guard weldment

Installation Procedure

1. Prior to installing the blower support arm assembly, ensure the top drive is in a vertical orientation and that the blower motor mount is parallel to the ground. Verifying whether the surface is level by placing a level tool on the blower motor mount as shown in Figure 4.

NOTICE

Several major components are hidden for clarity.

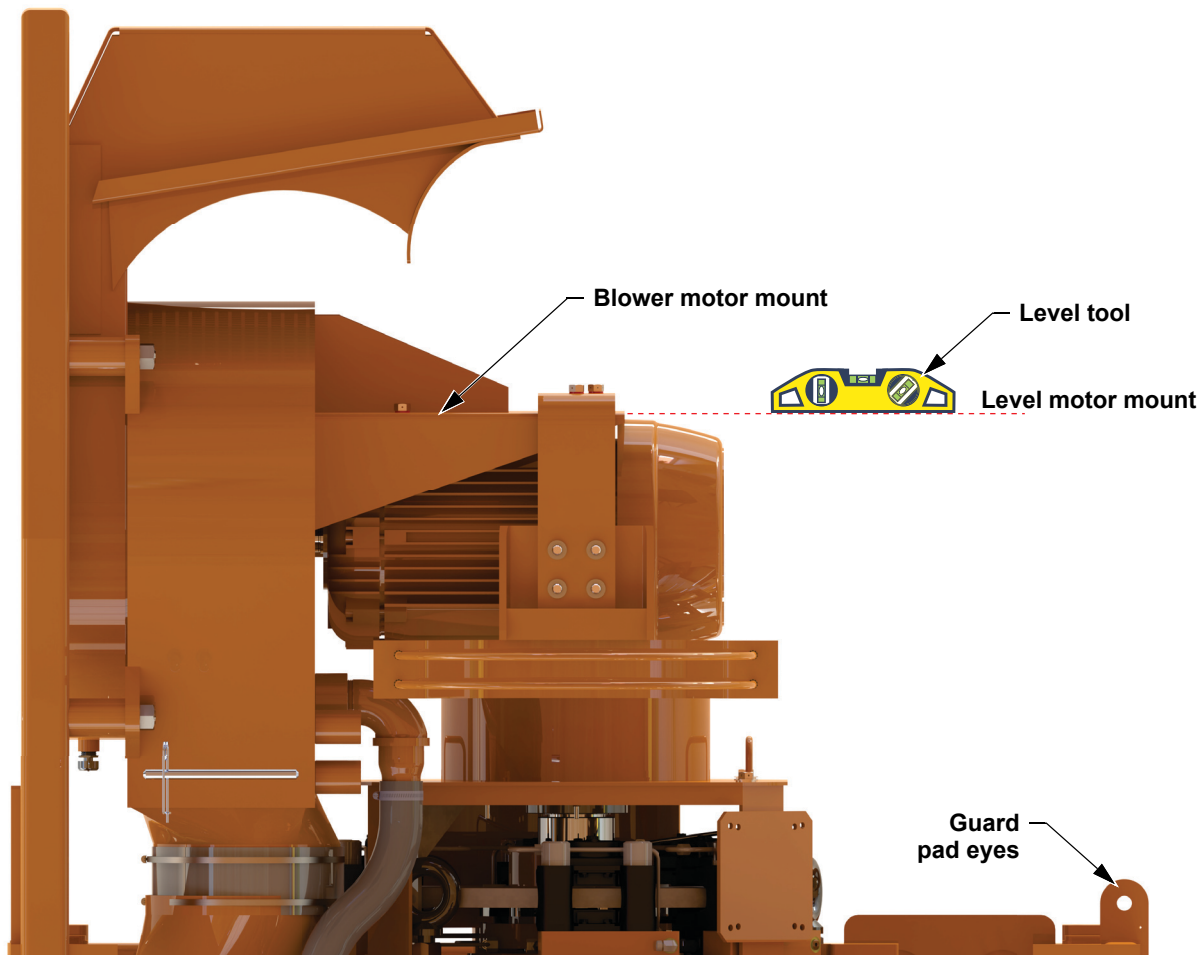


Figure 4: Top Drive in Vertical Orientation

2. Install Item 6 (DT27024) mudline clamp bracket on the blower motor mount by hand-tightening Item 7, 4, and 5 to the blower motor mount.
3. Install Item 1 (DT30207-1) mudline clamp bracket and Item 2 (DT30207-2) on to mudline with hand-tightened Item 3, 4, and 5.

- Secure Item 2 (DT30207-2) to Item 6 (DT27024) by hand-tightening Item 3, 4, and 5.

NOTICE

Item 6 (DT27024) may require adjustment for slots to line up before torquing fasteners.

- Torque all fasteners as per Canrig Engineering specification ENG 725.
- Safety wire fasteners with Item 14 (M21-2000-010) and Item 16 (M19-3006-010) as per ENG 701.
- After verifying the two conditions specified in Step 1, attach the main body of the arm to the blower motor mount pad eye using the blower support arm pin, as shown in Figure 5.

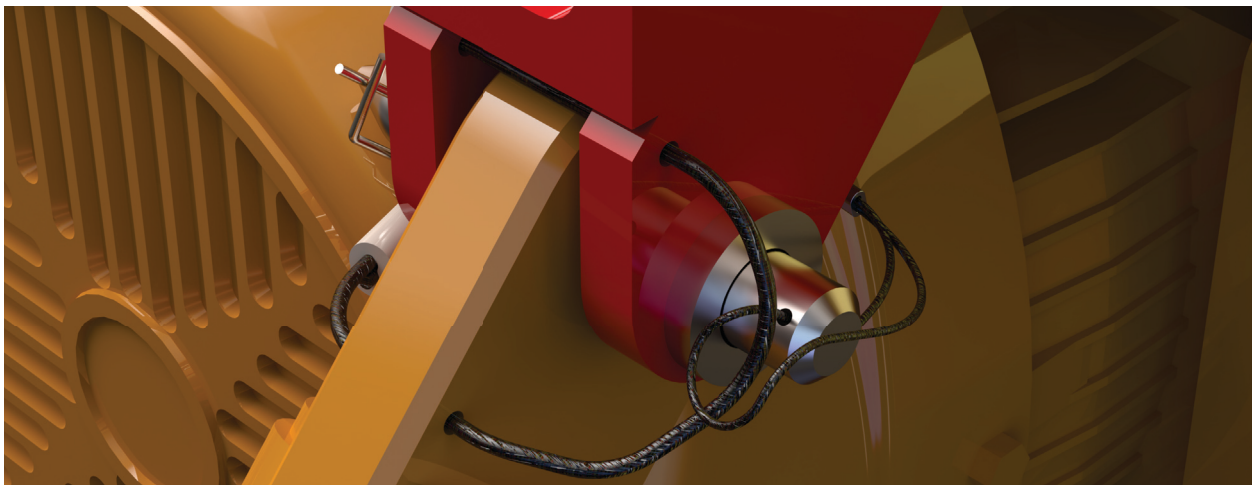


Figure 5: Aligning the blower support arm

- Install locking cotter pin through the hole in the blower support arm pin for retention as shown in Figure 6.



Figure 6: Cotter pin retention

- Prior to threading the blower support arm adjustable lug on the blower support arm cylinder body, thread the 1-1/2-6UNC jam nut approximately 1/4" of the way up the thread on the blower support arm adjustable lug and slide the 1-1/2" NordLock washer down on the nut as shown in Figure 7.

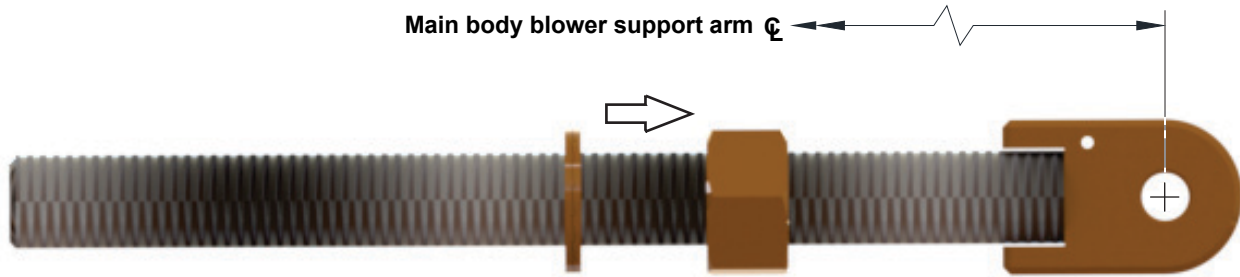


Figure 7: Threading the jam nut

- Measure the approximate distance between the lugs on motor guard using a tape measure. Screw in the adjustable lug onto the main body until the distance between the lugs are the same as the measurement taken. See Figure 8.

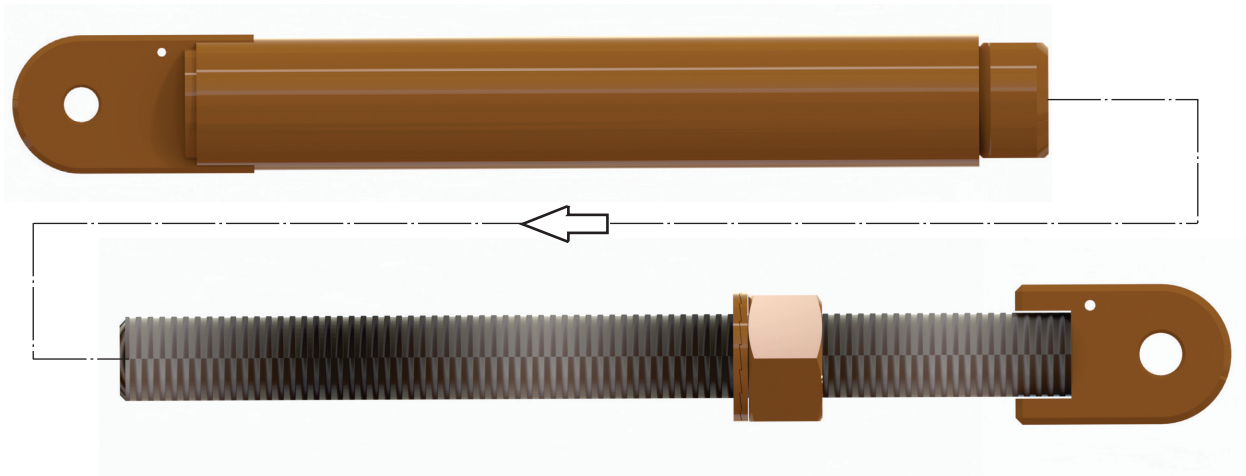


Figure 8: Threading the main body to threaded eye

- Install the lower lug onto the top drive pad eye and install clevis pin as shown in Figure 9.

NOTICE

If pad eye holes do not align, screw-in or screw-out the blower support arm adjustable lug until the pad eye holes between both align.

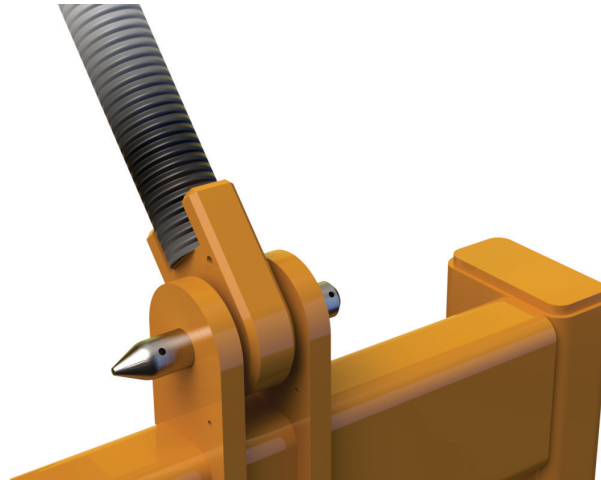


Figure 9: Aligning blower support arm

12. Secure each end of the blower support arm by looping the 1/8" wire rope through the top drive guard pad eye and crimp the ferrules as shown in Figure 10.

NOTICE

Ensure the 1/16" safety wire is looped through the 1/8" safety wire.

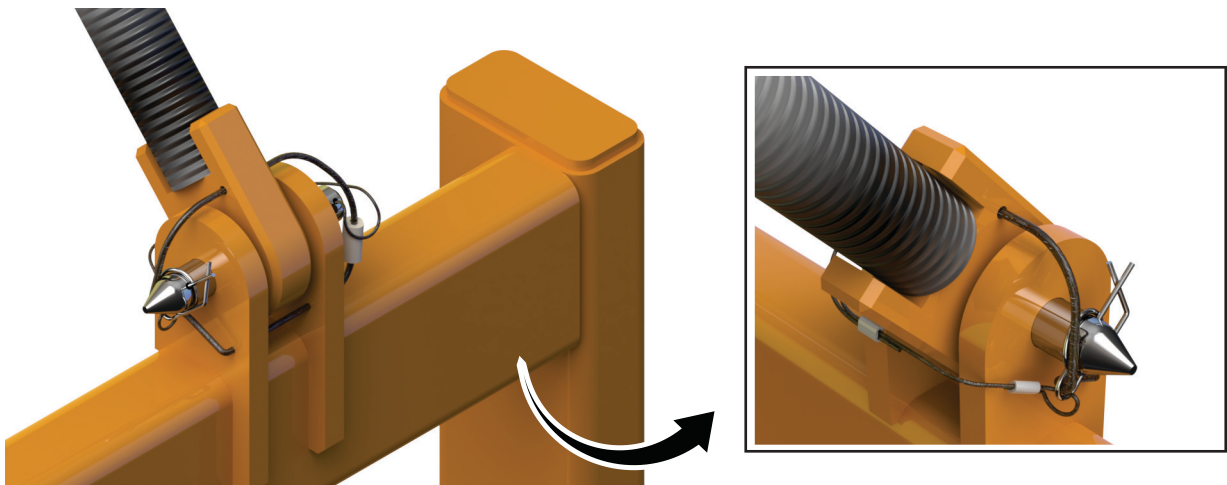


Figure 10: Routing safety wire



Model: C750 Serial #: N/A	May. 2, 2024
------------------------------	--------------

This page is intentionally left blank.