



## Torq-Matic Floor Wrench Undercarriage Capscrews

### Issue

One or more of the eight undercarriage capscrews (See Figure 1), attaching the lower tong frame to the vertical lift frame, can shear or work loose as the result of a high impact load that is outside of normal operating conditions. Without preventative maintenance, cyclic loading and/or vibration can also loosen or shear the capscrews over time. Preventative steps should be taken to ensure that all capscrews are properly installed and torqued to avoid loosening and/or shearing of capscrews and the potential separation of the entire tong and spinner assembly from the vertical lift assembly.

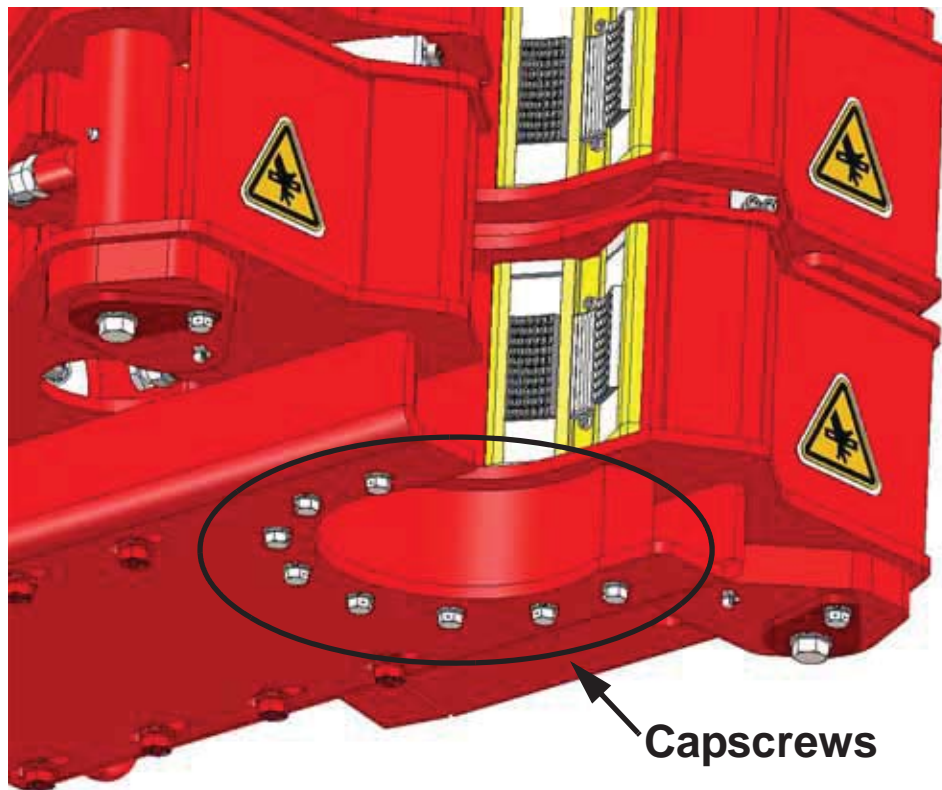


Figure 1: Undercarriage capscrews



Model: Canrig Torq-Matic™ Floor Wrench: TM80-110, TM80-125 Serial #: All	Sep. 17, 2015
Alert	

## Recommendation

Verify all capscrews are properly installed and torqued to 99 ft-lb (Use a torque wrench). Canrig recommends replacing all capscrews if any of them are loose, missing, damaged, or sheared as there may be unseen damage to the threads of the installed capscrews. Replace with new capscrews and Nord-Lock washers. Apply Loctite Threadlocker Blue 242 to replacement capscrews prior to installation. Wire capscrew heads together to prevent loose capscrews from falling out.

Inspect daily for loose, missing, damaged, or sheared capscrews. Ensure the wrench assembly, consisting of the tongs, spinner, and vertical lift is level to the ground. See the parts list below for replacement parts. Contact RigLine 24/7™ for assistance.

The likelihood of loosening and/or shearing capscrews increases if a high impact load is experienced or repeated attempts are made to clamp the lower tongs onto a tool joint with the wrench assembly not level to the ground.

## Parts List

**Table 1: Replacement Parts List**

Part Number	Description	Qty
HH-0500NC-0150-GR8-W	CAPSCR, HEX HD, 1/2-13UNC x 1.50, GR8, W	8 ea
LW-0500-NL-SP	LOCKWASHER, 1/2-SP NORD-LOCK	8 ea
M21-2000-010	WIRE ROPE, 1/16" DIA	4 ft
M19-3006-010	FERRULE, 1/16, OVAL, ALUMINUM	2 ea

## Reference Documents/Drawings

**Table 2: Documents/Drawings**

Document #	Description
AY50999	TM80 Arm Assembly